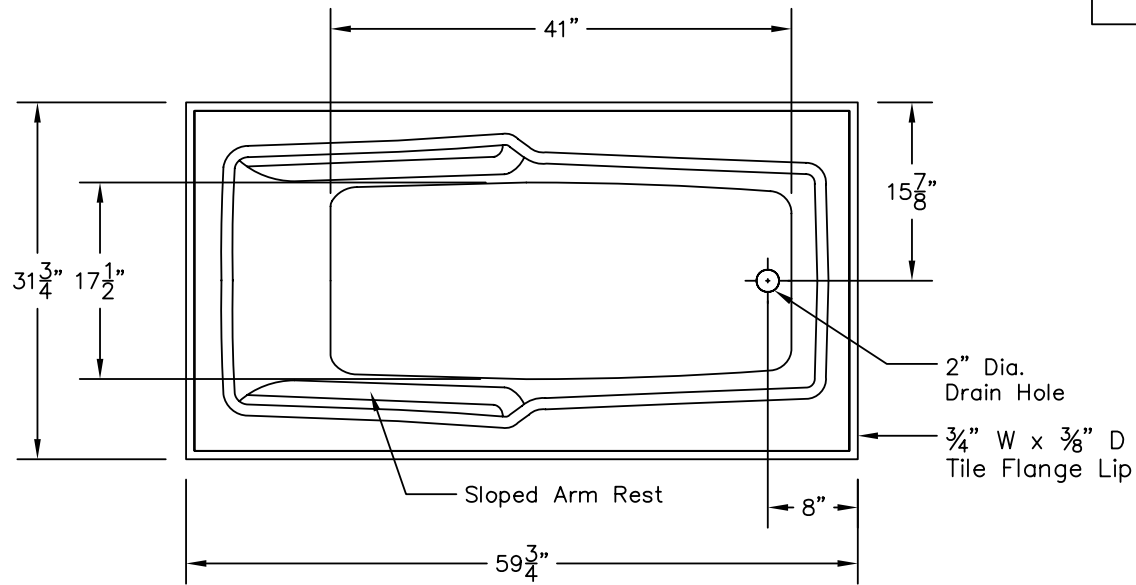
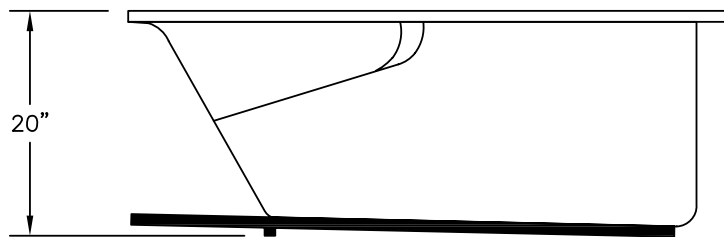


WEIGHT: 106 LBS.
 CAPACITY: 45 GALLONS
 NOTE: Not to Scale. All dimensions are based
 on manufacturers and industry standards
 of $\pm 3/8$ inch.

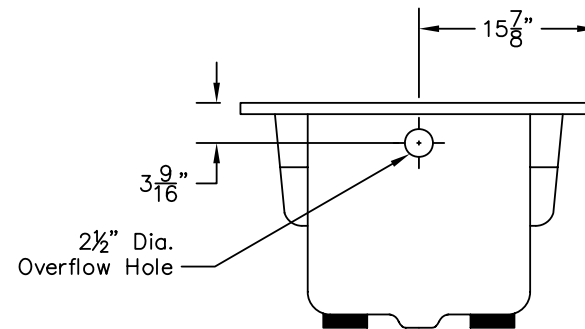
UPDATED: 11/06



TOP
VIEW



SIDE
VIEW



END
VIEW



SPACE SAVER