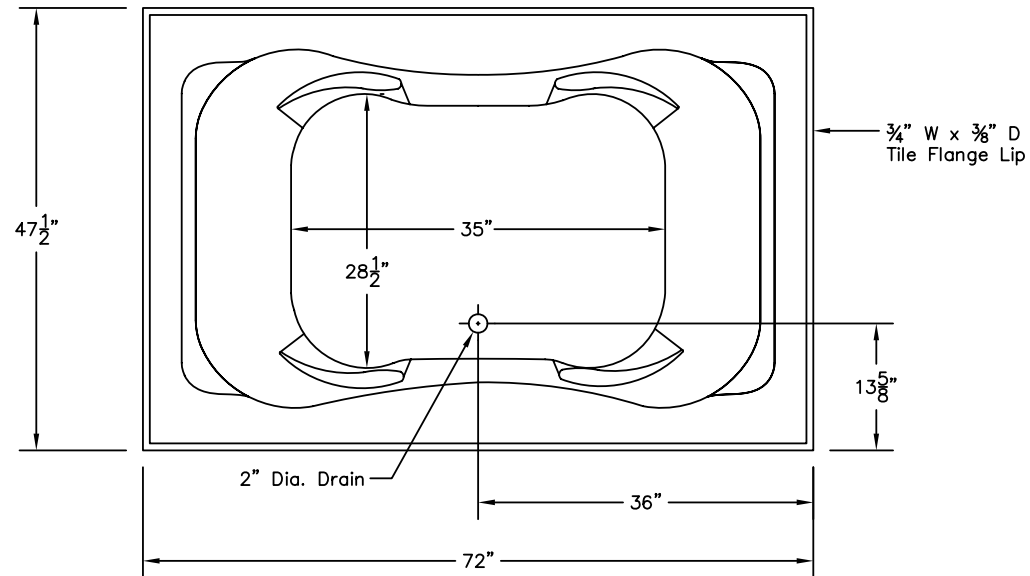


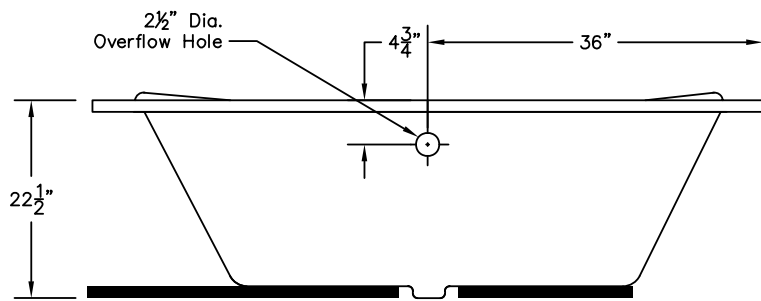
WEIGHT: 174 LBS.
CAPACITY: 80 GALLONS

NOTE: Not to Scale. All dimensions are based on manufacturers and industry standards of $\pm 3/8$ inch.

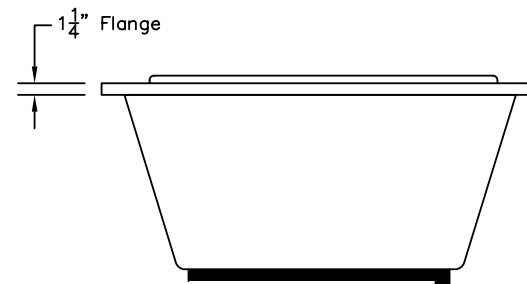
UPDATED: 11/06



TOP VIEW



SIDE VIEW



END VIEW



ROYAL TWIN