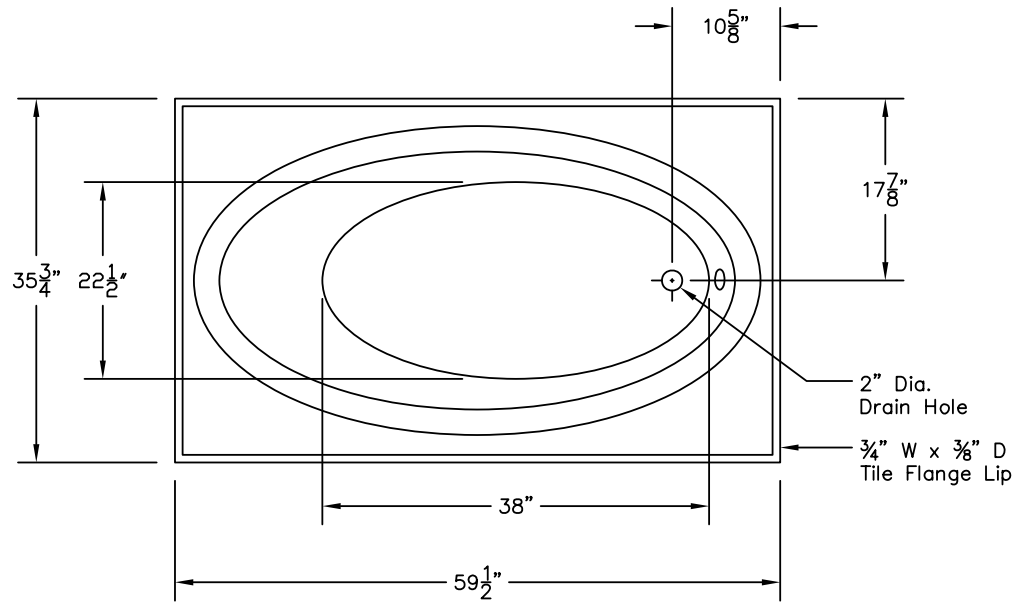
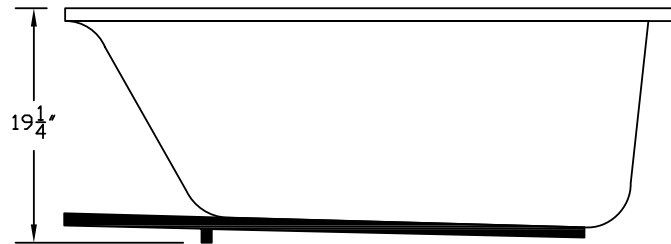


WEIGHT: 119 LBS.  
 CAPACITY: 50 GALLONS  
 NOTE: Not to Scale. All dimensions are based  
 on manufacturers and industry standards  
 of  $\pm 3/8$  inch.

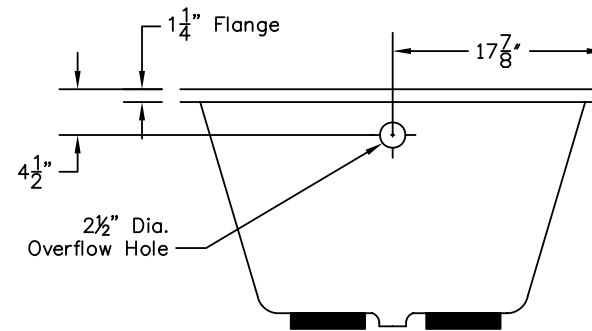
UPDATED: 11/06



TOP  
VIEW



SIDE  
VIEW



END  
VIEW



# ROMAN OVAL V