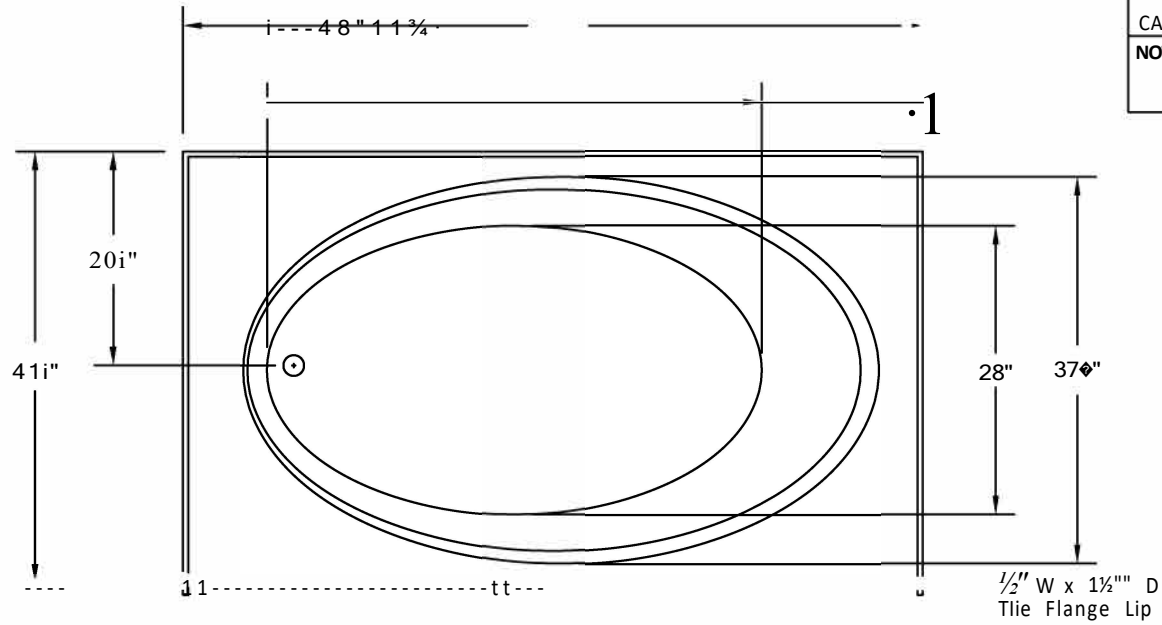


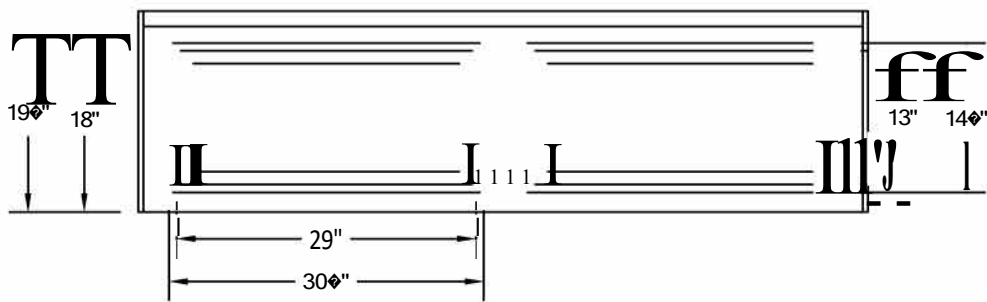
WEIGHT: 189 LBS.
CAPACITY: 60 GALLONS

NOTE: Not to Scale. All dimensions ore based on manufacturers and industry standards of $\pm 3/8$ inch.

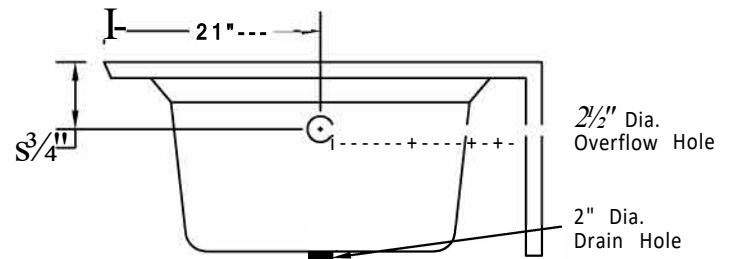
UPDATED: 10/06



TOP
VIEW



SIDE
VIEW



END
VIEW



KINGSLEY