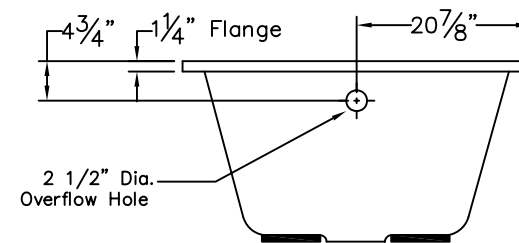
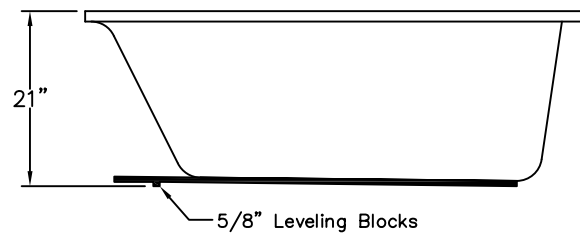
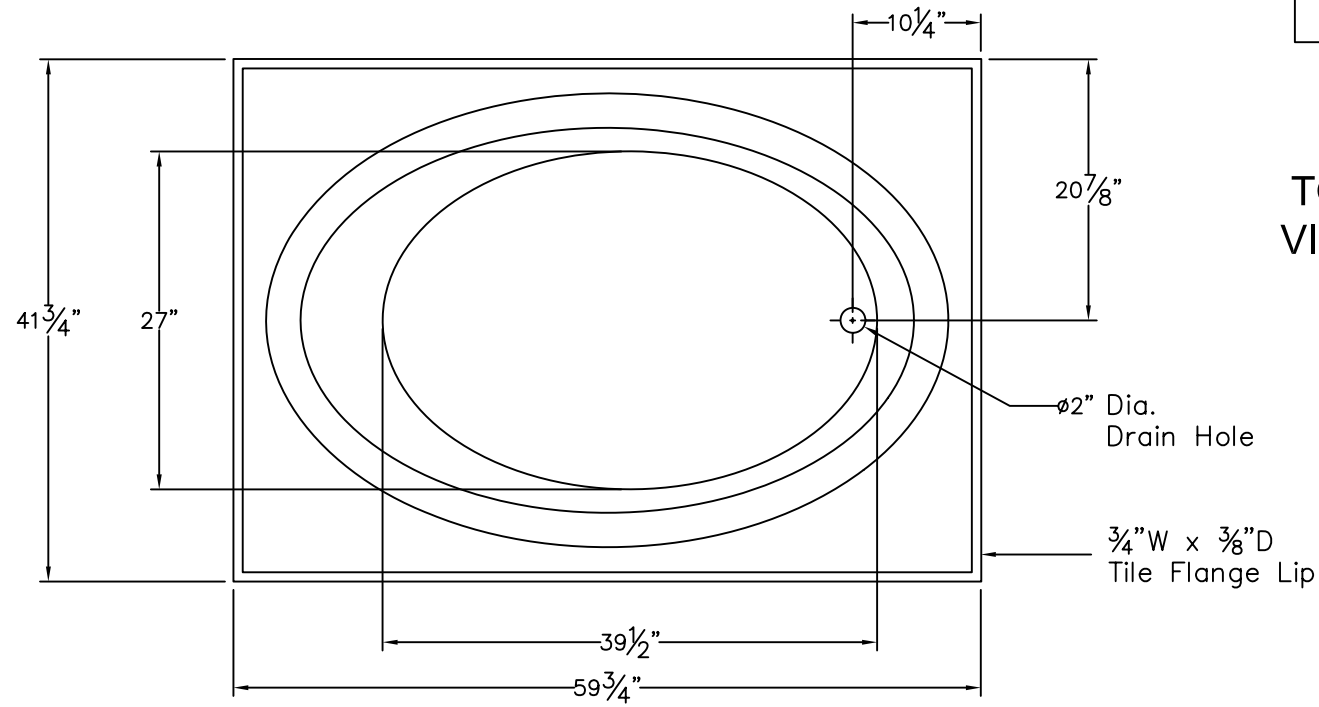


WEIGHT: 126 LBS.
 CAPACITY: 60 GALLONS
 NOTE: Not to Scale. All dimensions are based
 on manufacturers and industry standards
 of $\pm 3/8$ inch.

UPDATED: 07/06



DEEP WIDE OVAL