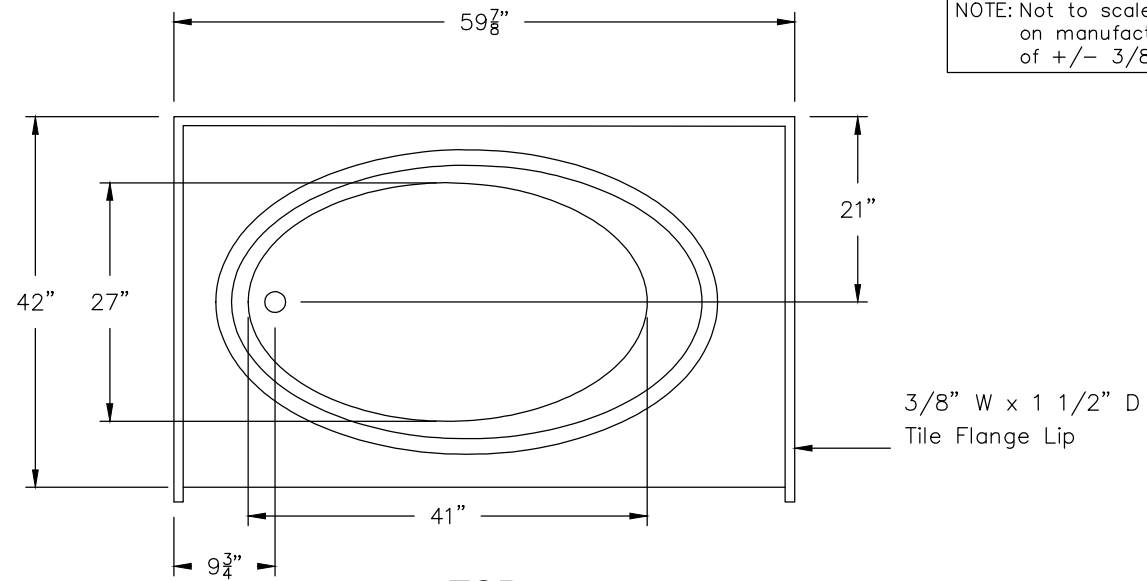


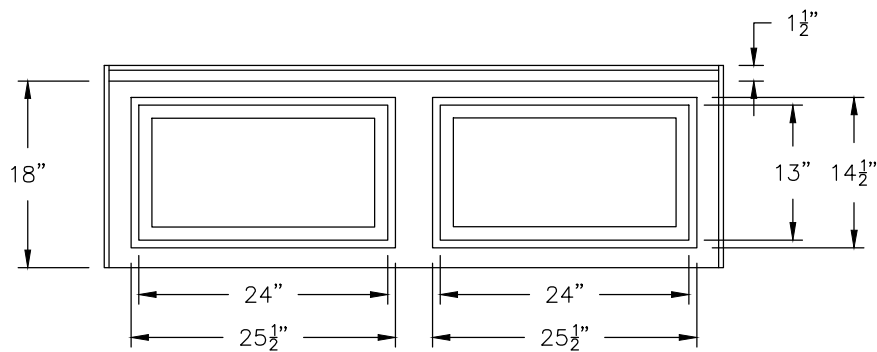
WEIGHT: 158 lbs
CAPACITY: 50 GALLONS

NOTE: Not to scale. All dimensions are based on manufacturers and industry standards of +/- 3/8 inch.

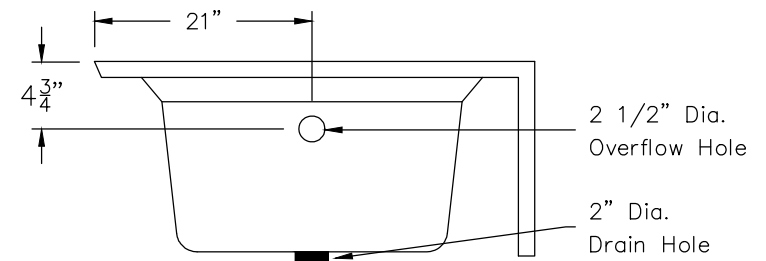
Updated: 8/19



TOP
VIEW



SIDE
VIEW



END
VIEW

TRAVIS