



# Prince SFS

## 60"x 30" with Integral Smooth Skirt

### SPECIFICATIONS

**FEATURES:**

Integral Smooth Skirt

**MATERIALS:**

Durable High Gloss Acrylic Finish

**WARRANTY:**

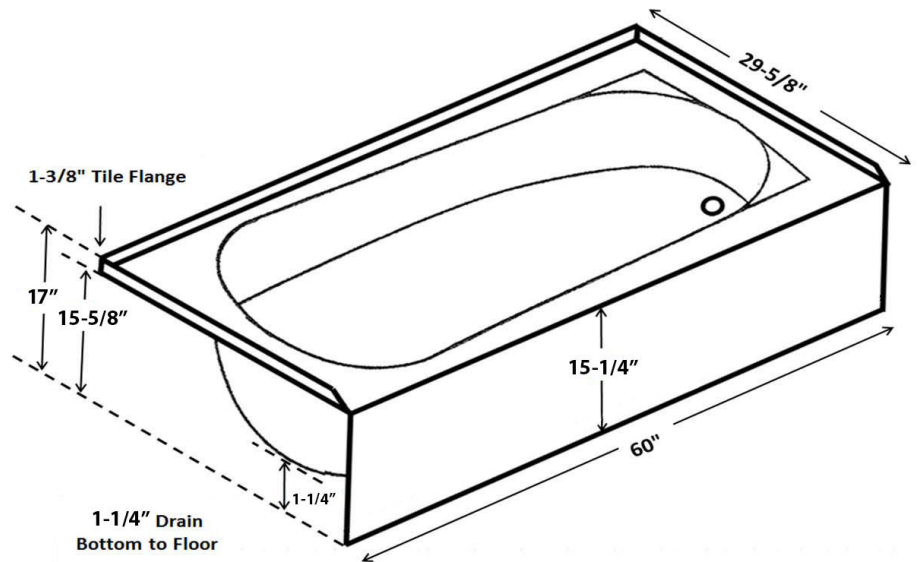
10 Year Warranty on the Acrylic Finish

**TECHNICAL DATA:**

Installation: 3-Wall Alcove

Drain Location: Left or Right

Capacity: 41 Gallons



**NOTE:** Install product according to installation instructions. Dimensions on drawings are nominal and may vary within the range of industry tolerances. These measurements are subject to change without notice. No responsibility is assumed for use of previous document versions. ADA Compliant when installed to the specific requirements of these regulations. Consult local code requirements.

