



Prince AFD

60" x 30" Above Floor Drain

SPECIFICATIONS

FEATURES:

Integral Skirt
Above Floor Drain (AFD) 3" Rough-In

MATERIALS:

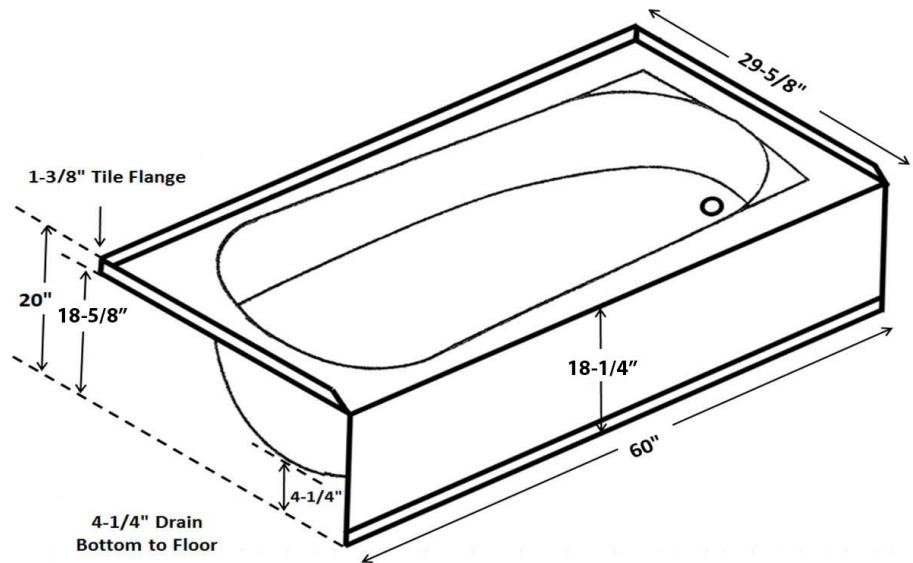
Durable High Gloss Acrylic Finish

WARRANTY:

10 Year Warranty on the Acrylic Finish

TECHNICAL DATA:

Installation: 3-Wall Alcove
Drain Location: Left or Right
Capacity: 41 Gallons



NOTE:

Install product according to installation instructions. Dimensions on drawings are nominal and may vary within the range of industry tolerances. These measurements are subject to change without notice. No responsibility is assumed for use of previous document versions.

