



# AH Dreamer AFD

## 60" x 36" Above Floor Drain

### SPECIFICATIONS

#### FEATURES:

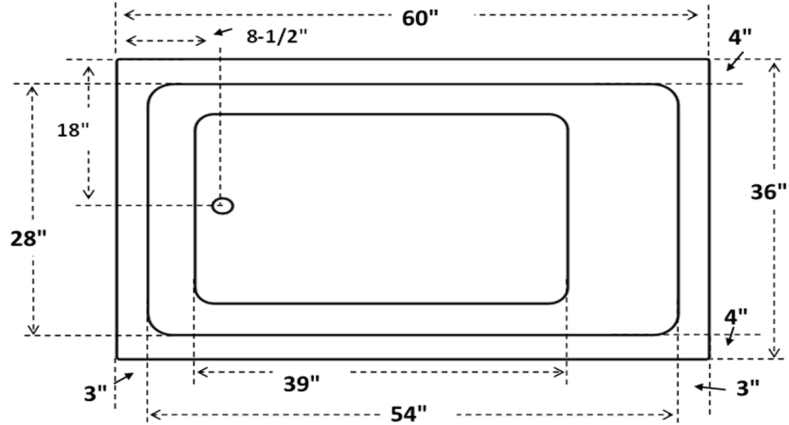
- Integral Smooth Skirt
- 1 1/2" Tile Flange
- Above Floor Drain (AFD) 3" Rough-In

#### MATERIALS:

- Durable High Gloss Acrylic Finish

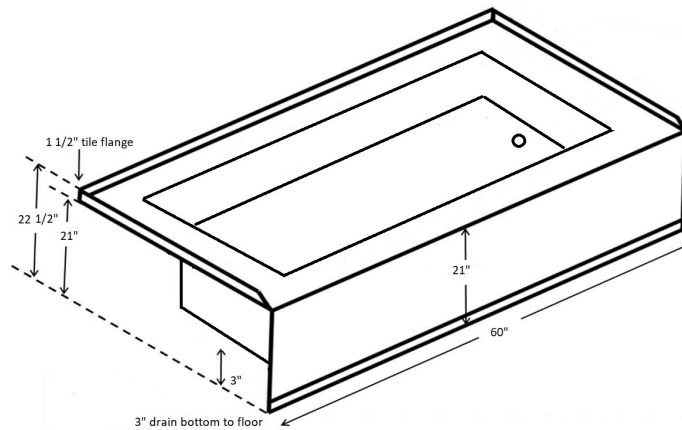
#### WARRANTY:

- 10 Year Warranty on the Acrylic Finish



#### TECHNICAL DATA:

- Installation: 3-Wall Alcove
- Drain Location: Left or Right
- Capacity: 50 Gallons



#### NOTE:

Install product according to installation instructions. Dimensions on drawings are nominal and may vary within the range of industry tolerances. These measurements are subject to change without notice. No responsibility is assumed for use of previous document versions.

